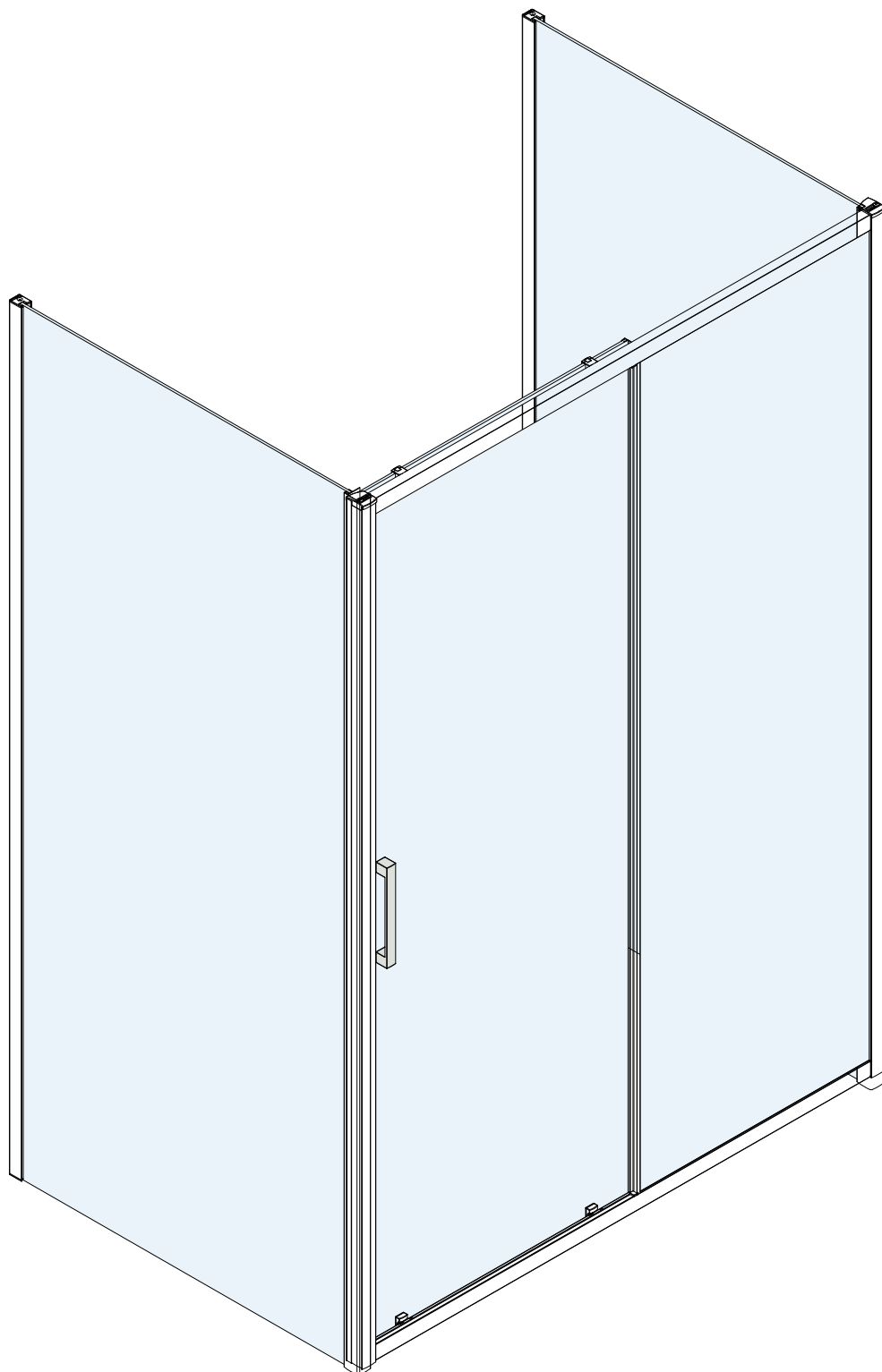
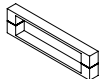
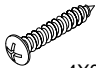

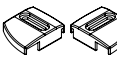
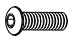



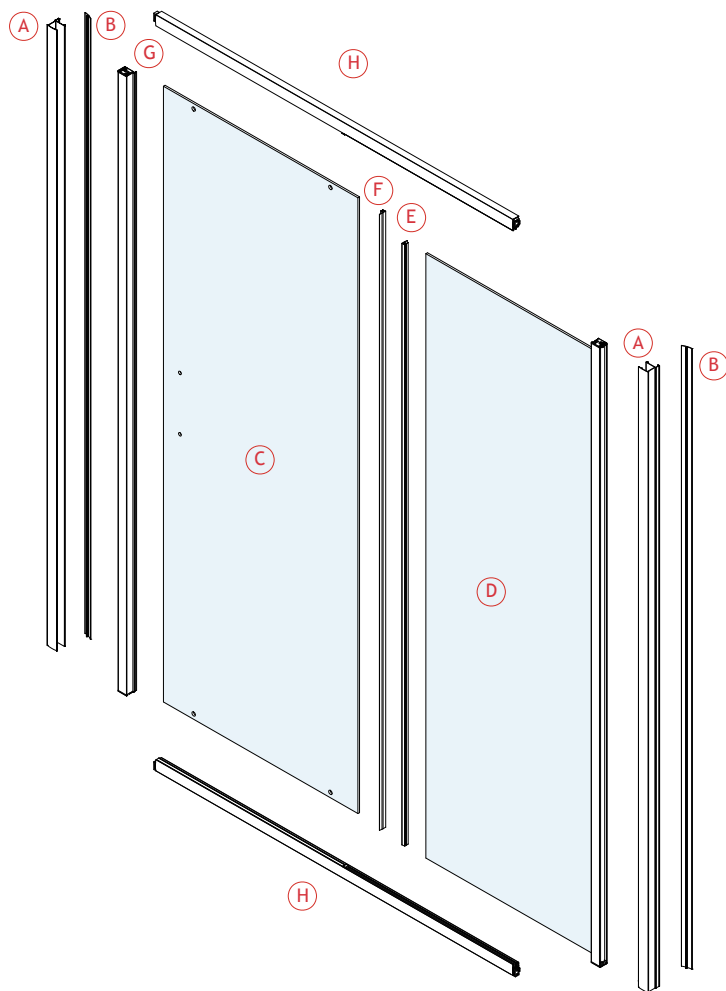






# NEW CORRINA

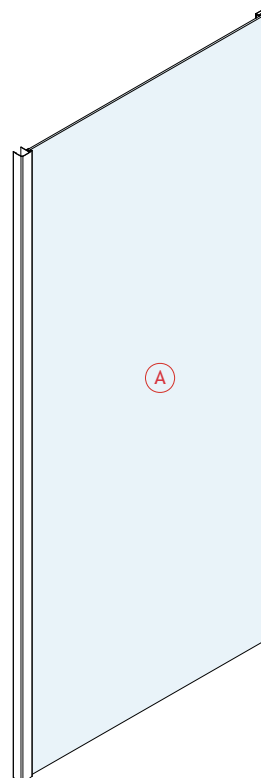


Element		Ilość
(I)		1 x
(J)	 4X30	6 x
(K)		6 x
(L)		1L+1R x
(M)	 5X12	2 x
(N)		1 x
(O)		2 x
(P)		2 x

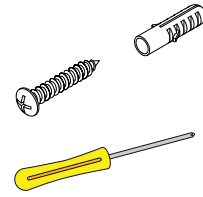
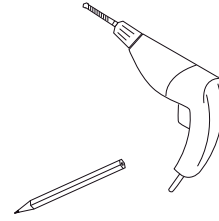
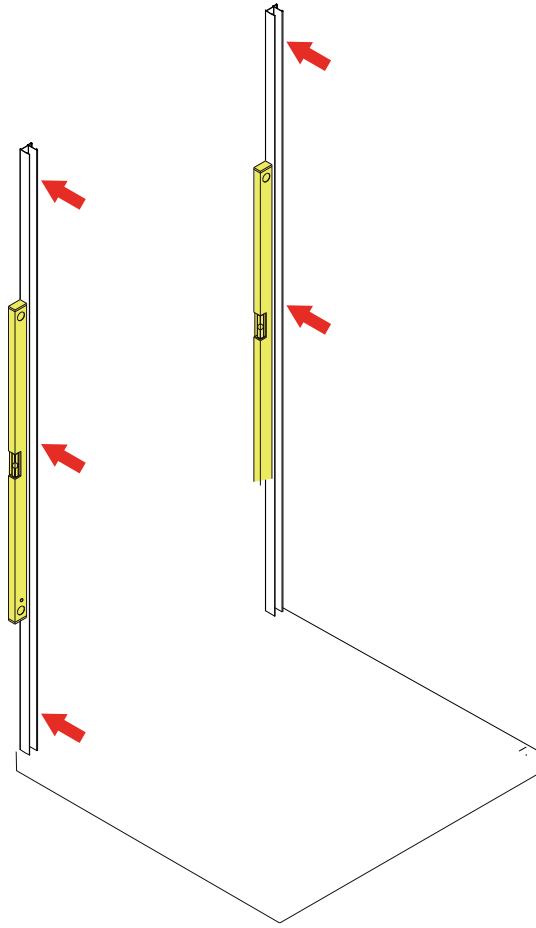


x2

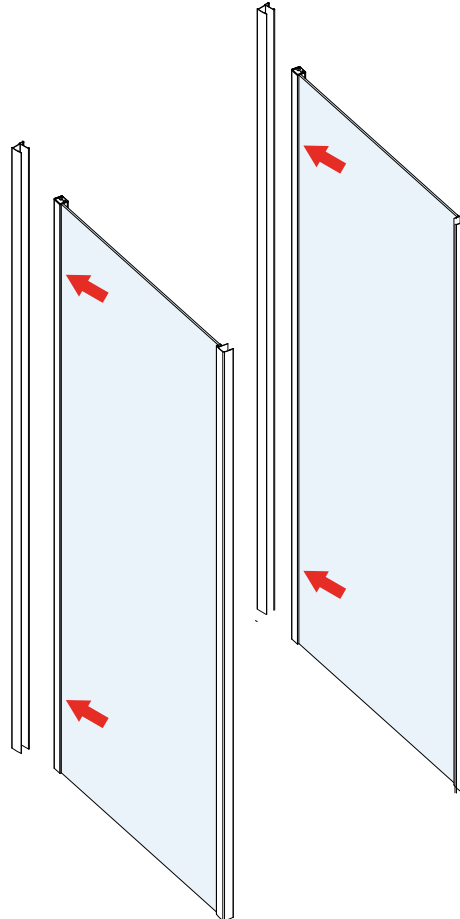
Element		Ilość
(B)		1L+1R x
(C)	 5X12	1x

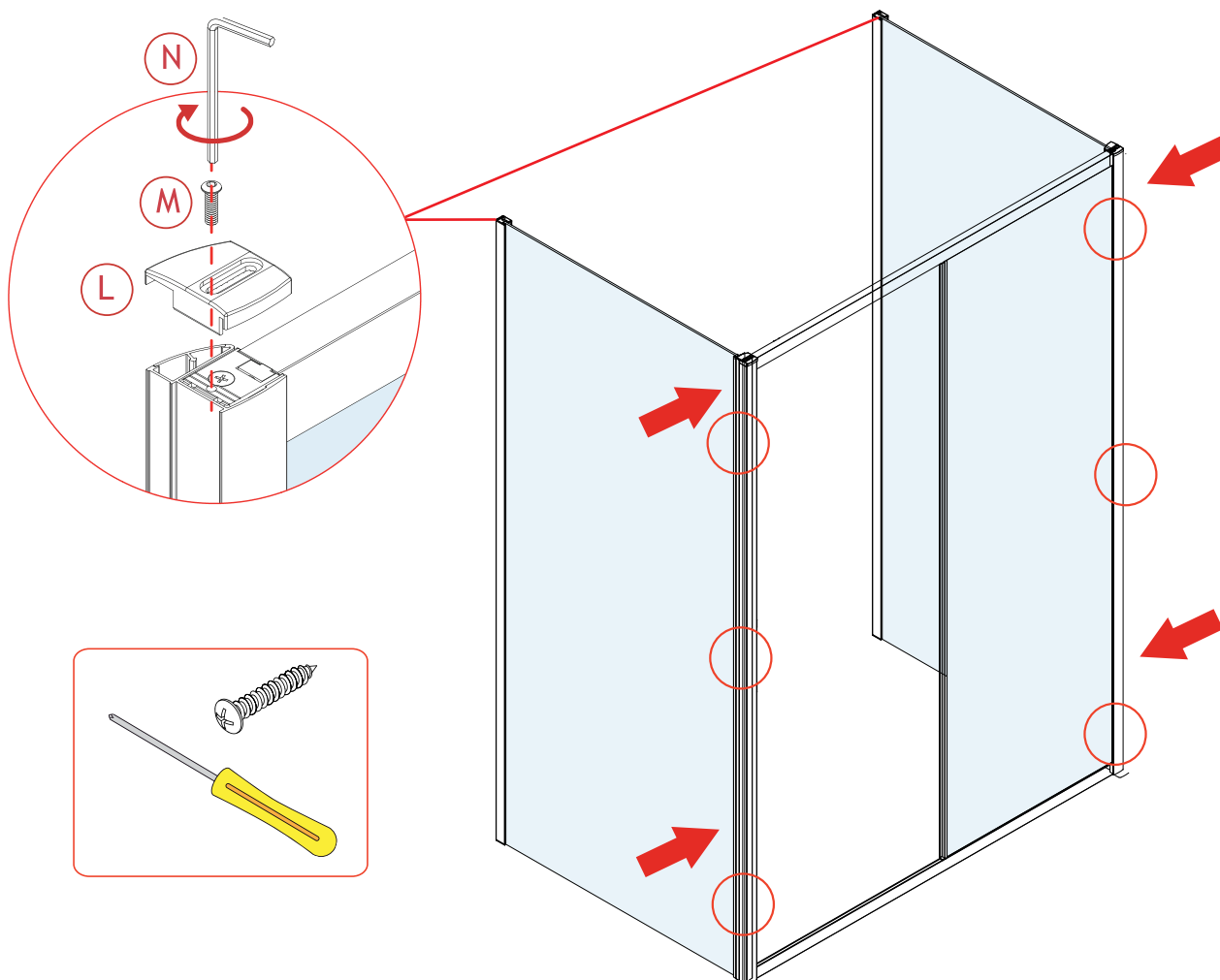
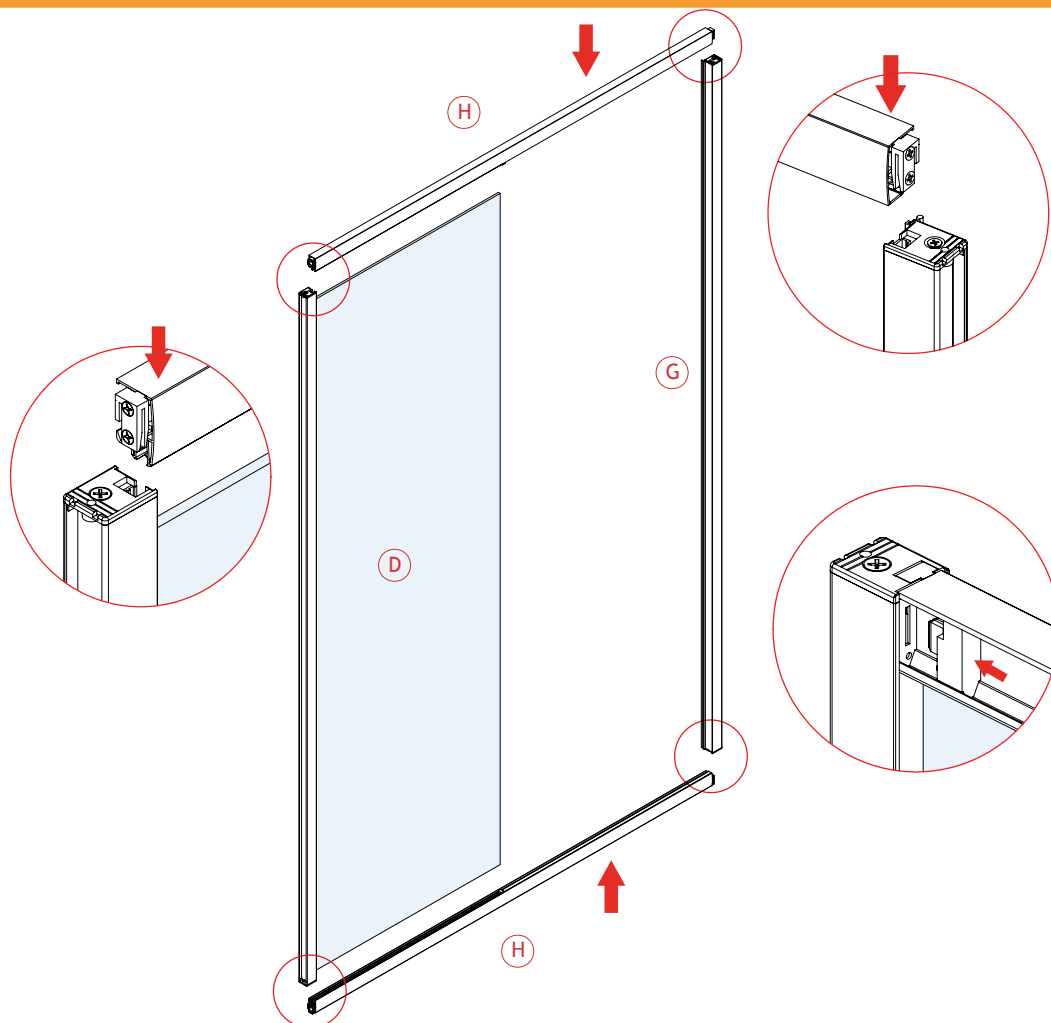


1

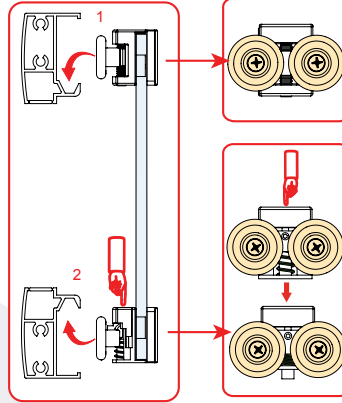
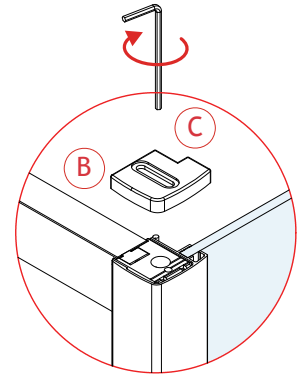
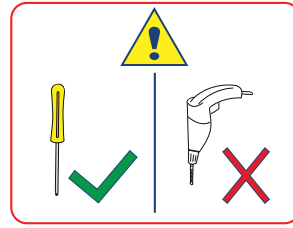
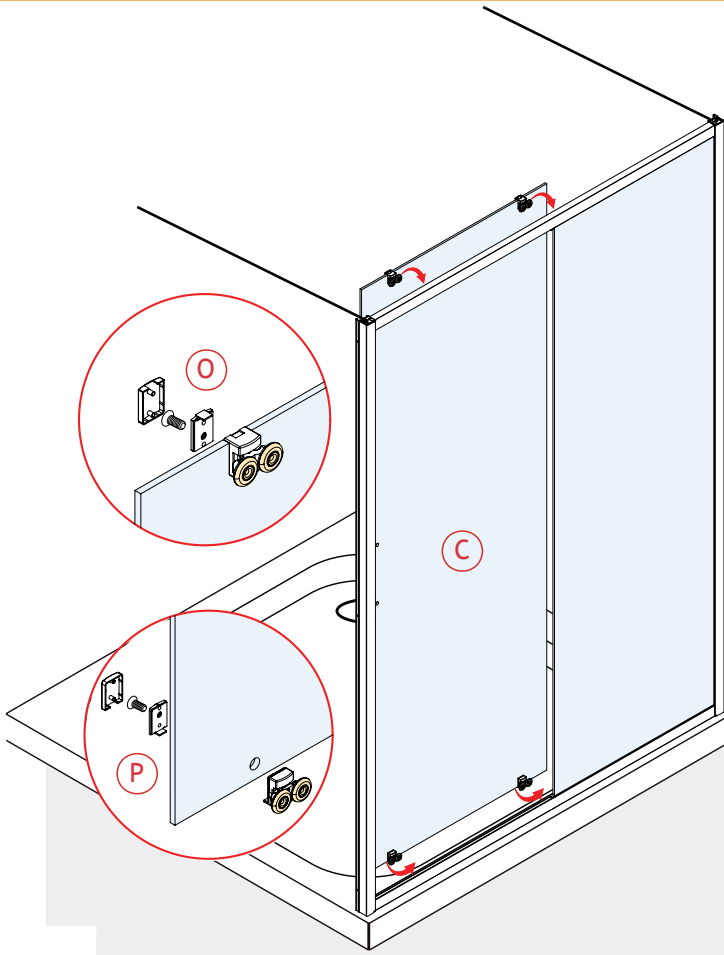


2

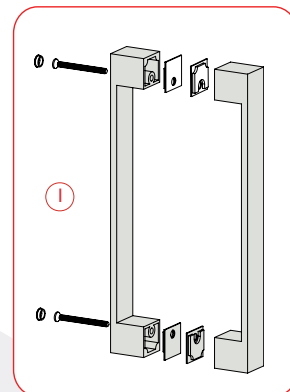
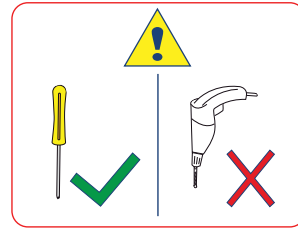
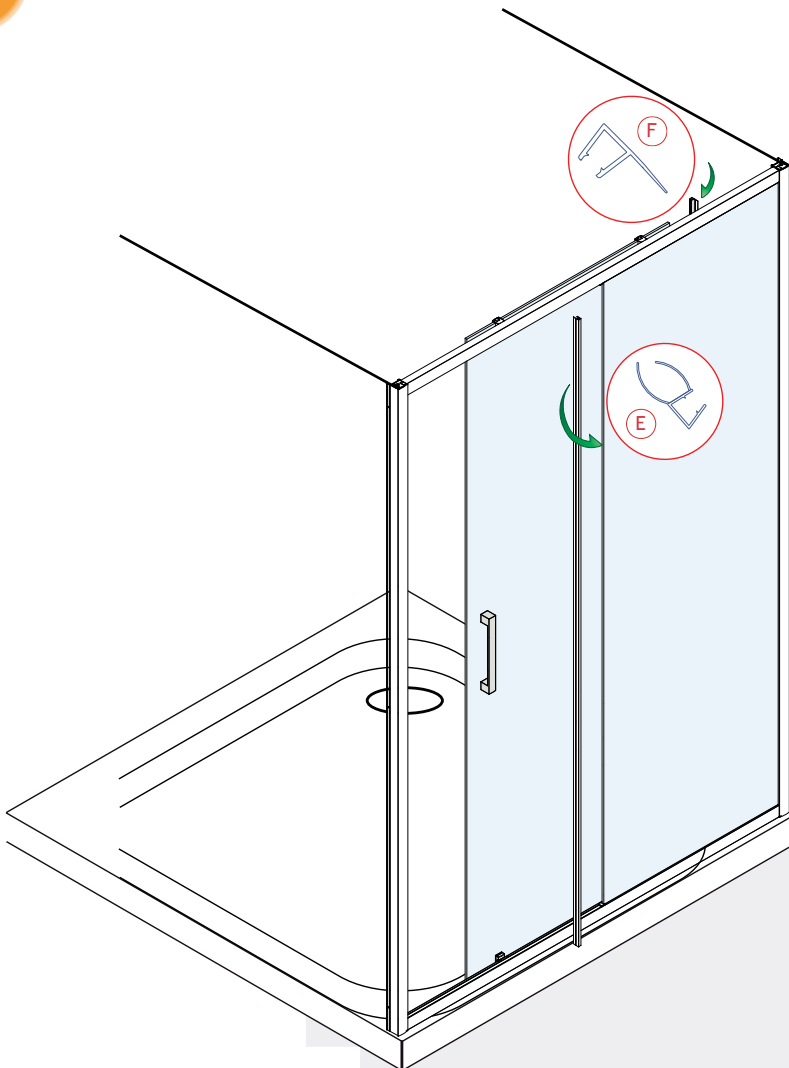


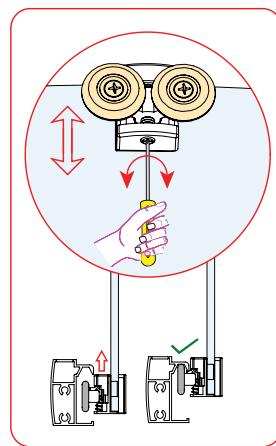
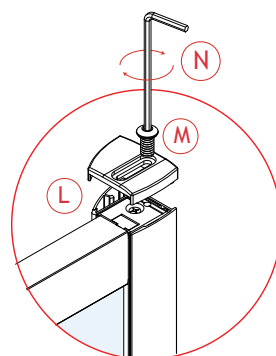
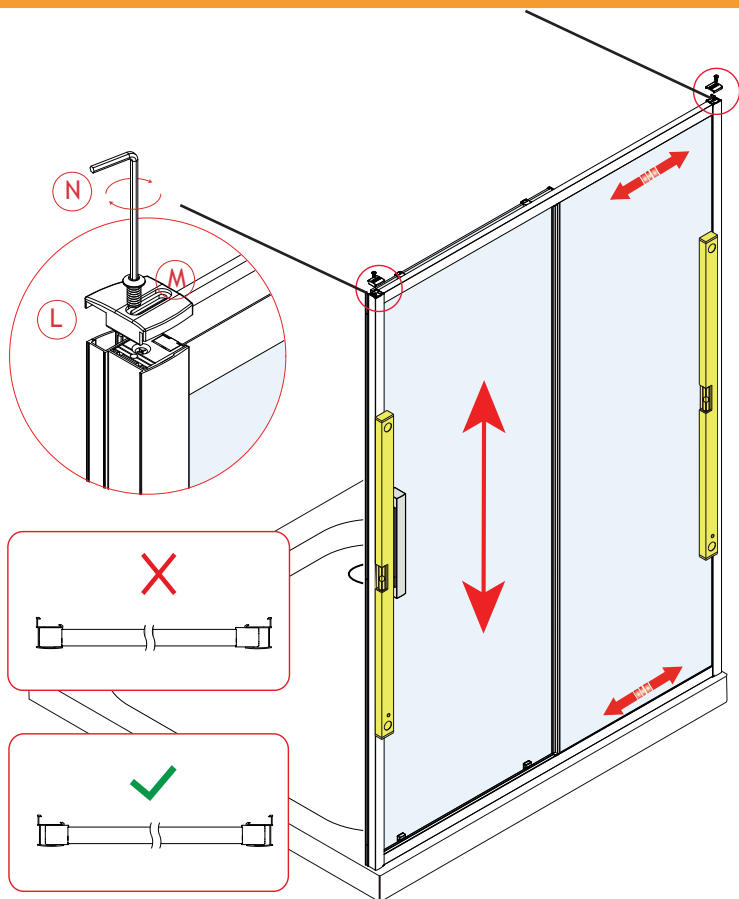
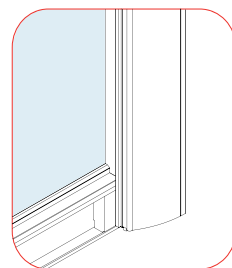
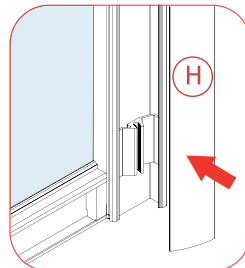
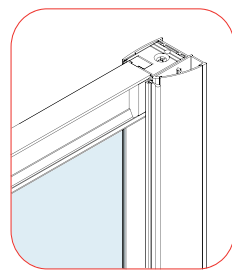
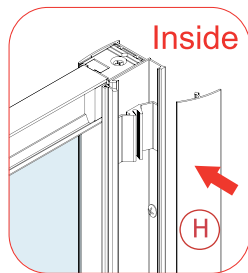
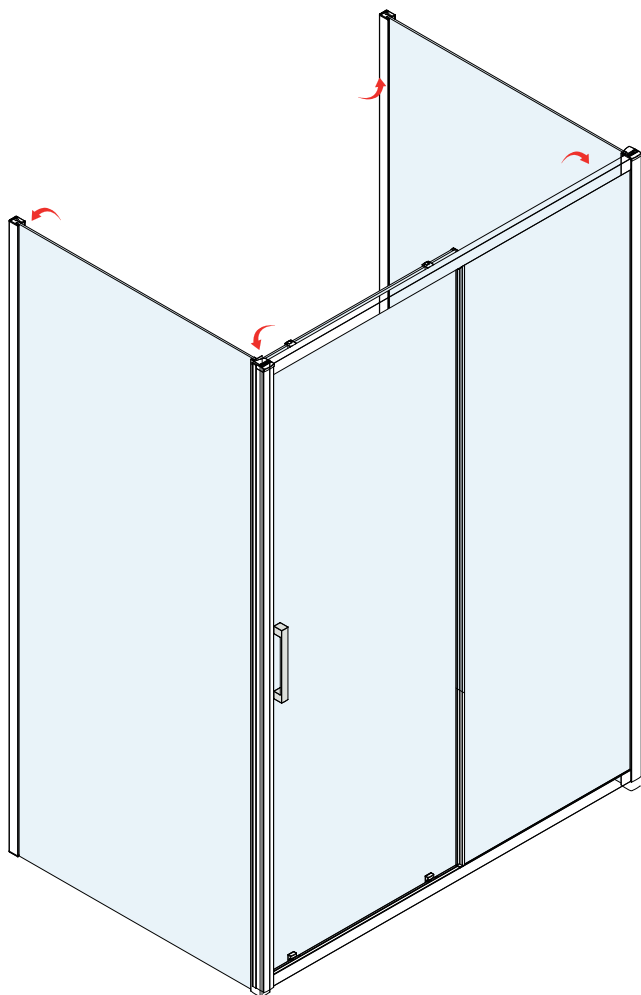


5



6







24H

